

## hp-32f / hp-34f Curved VESA adapter

# Assembly instructions

The 3idee VESA adapter **hp-32f** is compatible with the following product from hp (hp.com ) is compatible: **32f**.

The 3idee VESA adapter **hp-34f Curved** is compatible with the following product from hp (hp.com ) is compatible: **34f Curved**.

The VESA adapter allows you to conveniently mount your HP brand monitor to a monitor arm with a VESA hole pattern (**75 x 75mm** ). Use the included screws and nuts for this purpose.

If you want to mount your VESA adapter directly to the wall, use suitable screws and dowels. (**not included in delivery** )



# Assembly instruction

## Step 1

Place your screen in a safe, soft place so that your screen does not get damaged.

Remove the base of the monitor.

## Step 2

Loosen the two screws on the bottom of the white clip. Then you can pull it off the monitor. (Figure 1)

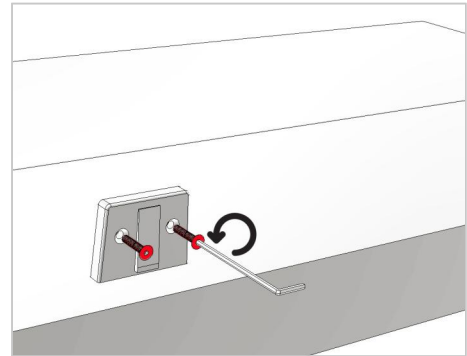


Figure 1

## Step 3

The preparation is complete, now you can attach the 3idee Vesa adapter to your monitor arm / wall. Use the provided **screws** and **nuts**. (Figure 2)

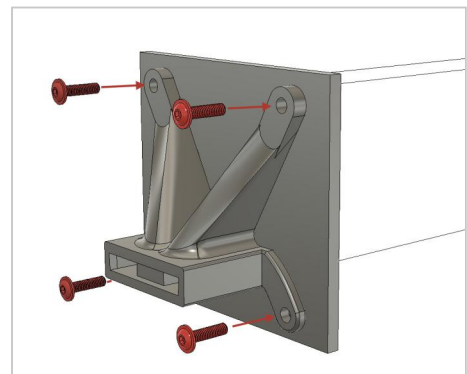


Figure 2

## Step 4

For this step, it is best to have a second person help you. Now take your monitor and carefully insert it into the mount (Figure 3). **Hold the monitor firmly while it is not yet fixed to the mount with the 2 screws.**

The screw holes in the Vesa adapter should now be aligned with the threads in the metal part of the monitor.

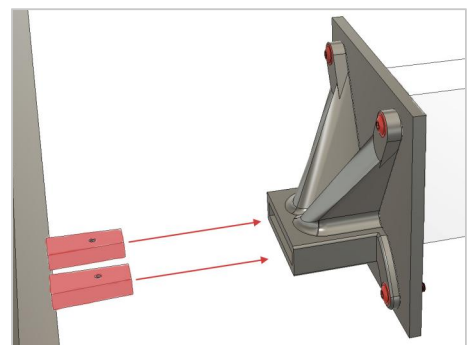


Figure 3

## Step 5

Now screw the 2 small screws from below into the Vesa adapter until they are flush and tight with the monitor. (Figure 4)

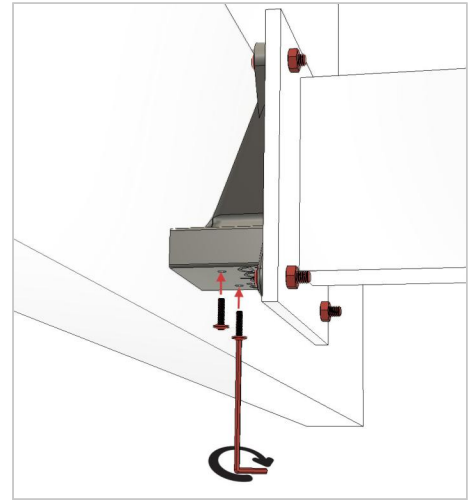


Figure 4

# Safety instructions

## General notes

- Make sure that all screws are tight and that the monitor audibly clicks into place during installation (if present).
- The material of the adapter is not heat resistant. Avoid direct heat around the adapter such as PC exhaust or direct sunlight in summer.
- PLA is UV resistant but not suitable for high temperatures.
- Avoid jerky movements (pulling, tearing) on the PC monitor. This can affect the performance of the VESA adapter.
- Do not subject the PC monitor to excessive loads such as leaning or pushing. This can impair the performance of the VESA adapter.

## Material Notes

The adapter is made of high-quality polylactide (**PLA**) plastic. PLA is both a colorfast and UV-resistant material and has low flammability. Polylactide has a low temperature resistance of approx. **35°C- 40°C** and is therefore not suitable for use in the vicinity of direct heat and heat sources.

**Important note:** Due to the low temperature resistance, the adapter is not suitable for use in vehicles such as mobile homes or caravans. The temperatures prevailing there could affect the material and impair the functionality of the adapter.

We wish you a lot of fun with your product.

Your 3idee Team

### Responsible for this content:

**3idee Technologies S.à r.l**

**5, ZA Um Lenster Bierg  
L-6125 Junglinster  
Luxembourg**